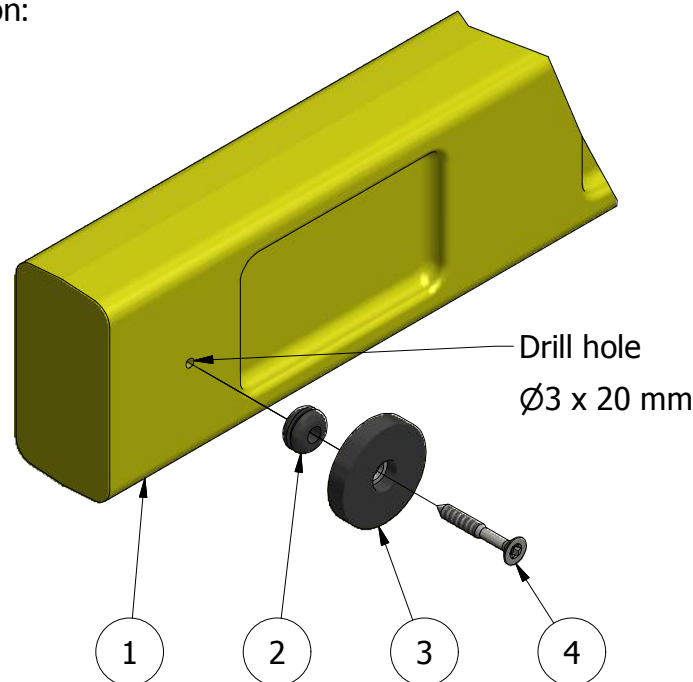


Magnet Closure Kit

The Magnet Closure Kit provides a way to hold the safety gate securely in a closed position using a permanent magnet disk attached to the gate. All parts of the Magnet Closure Kit have been designed and tested for outdoor use and exposure. The permanent magnet is rubber coated and all the hardware is 316 stainless steel. It will hold the Intrepid double bar gate closed up to a wind force of 11 bft.

Installation instruction:



Tighten the screw so far that there is about 5 mm space between the magnet and the safety bar. The rubber washer is provided to secure the magnetic disk, but still allow the disk to be free to “float” or “wobble”. In this way, the magnetic disk can make good flat contact with the metal guardrail post.

4	1	Screw, stainless steel 316
3	1	Rubber coated magnet disk
2	1	Rubber washer
1	1	Safety Gate
ITEM	QTY	DESCRIPTION
PARTS LIST		



KVA INTERNATIONAL

KVA International
P.O. Box 372
PC 322
Falaj al Qabail
Sohar, Sultanate of Oman

Magnet Closure Kit

www.kva-international.com

Edition
1

Sheet
1 / 1